

AIXAM LOGS



**AIXAM,  
NO.1 IN  
SAFETY**

COMPLETE MANUFACTURER  
COMMITMENTS TO SAFE MOBILITY



**NO.1** FOR LICENCE-FREE VEHICLES

**AIXAM**

# AIXAM: COMMITMENTS SAFETY

AIXAM, the leader on the licence-free vehicle market for almost 30 years, manufactures highly safe vehicles with a resolutely modern design. Aixam integrates safety criteria based on the most advanced techniques from the design phase thanks to modern and high-tech materials from the leading international equipment manufacturers.

## SETTING THE EXAMPLE

AIXAM is the first manufacturer of licence-free vehicles to consider the safety of users. AIXAM has submitted the entire range to crash tests since 1988. These tests are not required by legislation, and guarantee that AIXAM is making the right choices in terms of safety.

**1** **ACTIVE SAFETY**  
Mobility rights come with the obligation for comprehensive equipment to ensure safety.

**2**

**PASSIVE SAFETY**  
Technologies and equipment are carefully selected to ensure user protection.

**3** **PROTECTING THOSE INSIDE THE CAR**  
Understanding the AIXAM anti-shock design

**4**

**ADOPTING THE RIGHT BEHAVIOUR**  
The right reflexes also contribute to safety



# AIXAM: A GOOD START



Make sure that your windscreen and rear window are clear before you set off.

Regularly check that your lights are working.

Remember to check your rear view mirrors frequently to see what is happening around the vehicle.

## VISIBILITY AND A GOOD VIEW: PRE-REQUISITES FOR SAFETY.

**Advanced side beam** increasing the visibility of the vehicle from all angles.

**Large rear view mirrors** developed for AIXAM meeting the most recent automobile standards to guarantee optimised vision.

**Large laminated windscreen** with a powerful demisting system for complete visibility.

**Powerful headlights,** to ensure you can see and be seen in all conditions.

**Front and rear LED lights.**



Thanks to LED technology, the 3<sup>rd</sup> brake light comes on 10 times faster than a traditional bulb



## BODIES AND OBJECTS: FULL-SCALE PROJECTILES IN CASE OF AN ACCIDENT.

**AIXAM safety belts** are highly robust. Our belts are designed based on specifications which are twice as restrictive as legislation (matching automobile requirements), and tested under a traction force of 5.4 tons, equivalent to 36 times the weight of each body.



Do not forget to fasten your belt, including for short journeys.



Hitting something at 50 km/h is equivalent to falling from the 3<sup>rd</sup> floor.

# AIXAM ENSURES YOU ARE SITTING AND DRIVING COMFORTABLY

ENSURING YOU ARE COMFORTABLE IN YOUR AIXAM IS EXTREMELY IMPORTANT TO OPTIMISE YOUR VIGILANCE AND MAKE SURE YOU PAY ATTENTION WHEN DRIVING.

## Real ergonomics.

The instrumentation is carefully designed to ensure that all controls are within arm's reach and easy to use.

## Sound proofing.

Materials are selected to ensure real well-being inside the vehicle. Dimmed and comfortable design prevents fatigue and allows for peaceful driving.



## Storage.

The cab is fitted with many storage spaces to avoid your personal belongings turning into projectiles.



## DID YOU KNOW?

Your AIXAM is protected against electro-magnetic fields. In traffic, your AIXAM is surrounded by hundreds of waves, such as mobile phone waves, which could disturb the satisfactory operation of your vehicle. The high tech design ensures that all of the electronic controls in your AIXAM are in full working order.



# VISIBILITY AND ERGONOMICS AIXAM DECLARES WAR ON BLIND SPOTS



4.7 m

### Clear view of nearby ground obstacles.

The large windscreen provides a view of any nearby obstacles. Avoiding these obstacles becomes child play.



### DID YOU KNOW?

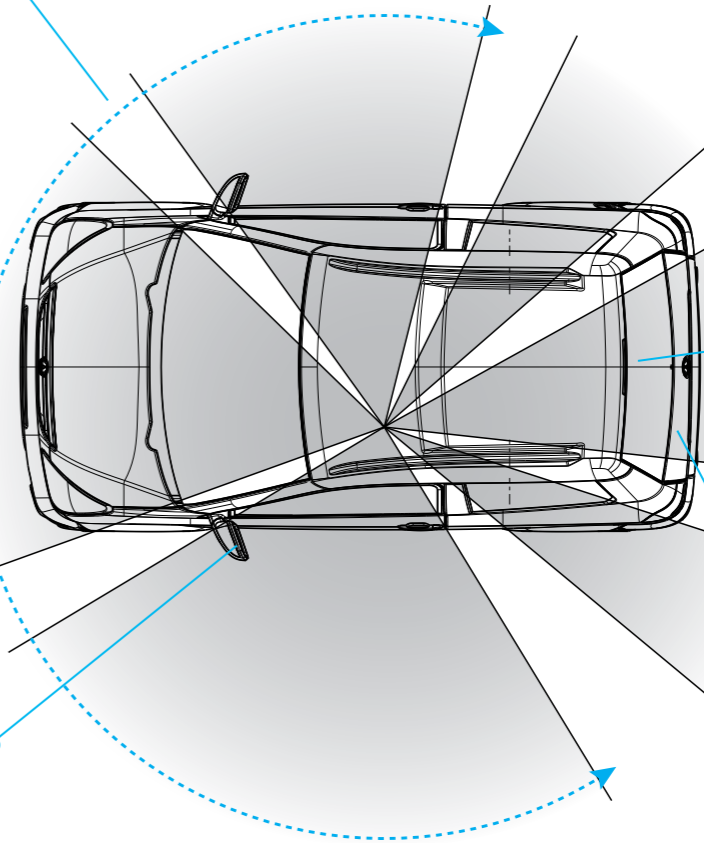
Studies carried out and the design of your AIXAM help to reduce any unseen areas around the vehicle for the driver to a maximum. These unseen areas are known as blind spots.

**Blind spots**  
Before changing lane, leaving a parking slot or taking a roundabout exit, make sure you check your blind spots to ensure user safety. Turn your head and check nothing is behind/beside you.

the large windows of your Aixam provide an exceptional panoramic view.

panoramic vision

**Wing mirror**  
curved mirror to reduce blind spots.



### Rear view.

The clear view of the rear of the vehicle allows the driver to anticipate the presence of other road users and changes in direction

**Reversing radar**  
Driving assistance.

# COMPLYING WITH WEIGHT LIMITATIONS

## SAFETY FACTORS

light quadricycle  
regulations  
**350 kg** empty

### European directive

The empty weight of a light powered quadricycle must not exceed 350 kg (excluding the weight of the battery packs and optional equipment), its maximum speed must be equal to or less than 45 km/h and its maximum power must be equal to or less than 4 kW (5.6 HP). They are considered as scooters.

### EXCESSIVE WEIGHT INCREASES DANGER.

Safety distances are extended and shocks are more violent.



## THE BENEFITS OF A LIGHT VEHICLE!

- +** **Easy to handle**  
Handling is easier thanks to reduced inertia.
- +** **Agile**  
Greater precision and reactivity.
- +** **Road grip**  
The tyres are subjected to less forces and wear less.
- +** **Reassuring**  
Braking distances are reduced and shocks are less violent.
- +** **Ecocitizen**  
CO<sub>2</sub> emissions and consumption are reduced.

### APPLYING STANDARDS TO ENSURE YOUR SAFETY.

AIXAM pays close attention to this standard as it contributes to safety without argument.



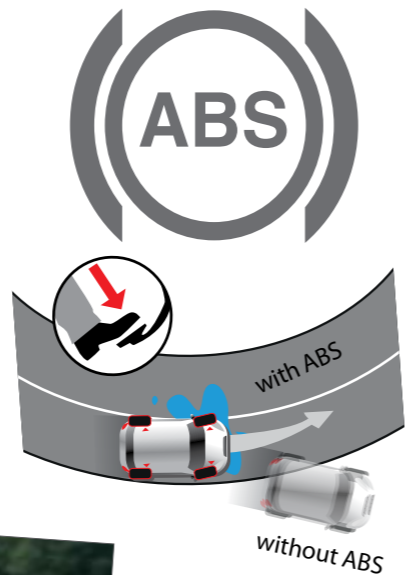
### PRECONCEIVED IDEAS:

Heavier vehicles are more robust?

**FALSE.** materials are constantly being improved. The iron age is behind us, today's world uses high resistance aluminium and composites. Heaviness is a sign of obsolete design.

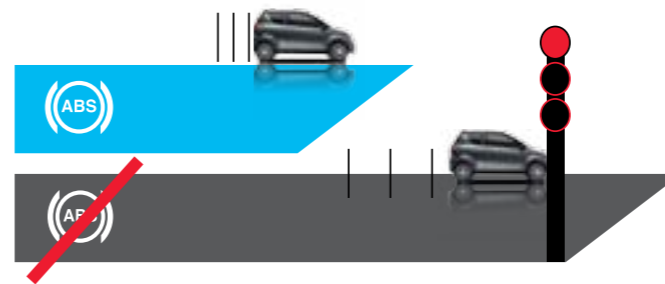
# DRIVING ASSISTANCE

**ACCELERATING, BRAKING, TURNING:**  
**WITH AIXAM, KEEP YOUR VEHICLE UNDER CONTROL WHILE IN MOVEMENT!**



## AIXAM equips its range with ABS

with 4 active sensors connected to a computer. This computer is aware of grip levels for the front and rear axles at all times and modulates braking force to each wheel to guarantee balanced steering for your Aixam.

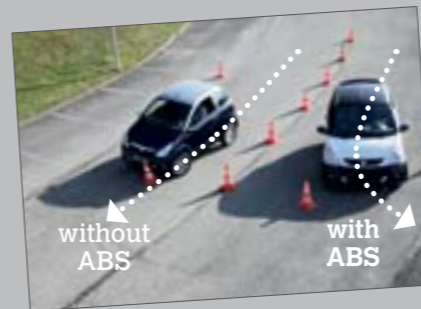


**MAINTAIN SAFETY DISTANCES.** Tip: the ideal distance is equal to 2 seconds, so you need to pay close attention to the rear wheels of the vehicle ahead of you.

## DID YOU KNOW?



If your wheels lock when you brake, you will lose the control of your vehicle and will be unable to, for example, avoid an obstacle. The ABS will prevent your wheels from locking while using maximum tyre grip. The benefits for the driver are optimal braking on difficult roads, while limiting the risks of skipping and retaining control of the vehicle. Rain, snow, black ice, control your AIXAM in all weather conditions.



# ADOPT THE RIGHT DRIVING HABITS

## ACCELERATING, BRAKING, TURNING: AIXAM HAS THE ANSWERS.

**Cross-action braking**, generally adopted in automobiles, consist of a double circuit supplying the front left wheel and the rear right wheel independently and vice versa. Balanced braking is therefore guaranteed in all circumstances and will provide an advanced emergency system in the event of a technical incident.

**Tyres** ensure road grip and effective vehicle handling. Quality tyres are a critical factor in safety. AIXAM pays close attention when selecting tyres.



CHECK YOUR TYRE PRESSURE AND WEAR ON A REGULAR BASIS.

Tyre contact with the ground covers a surface area equivalent to 4 post cards.



## STABILITY TESTS

AIXAM submits its range to 3 types of tests: **ISO chicanes, crash tests and slaloming**. All vehicles are successful above their authorised speed (45 km/h).





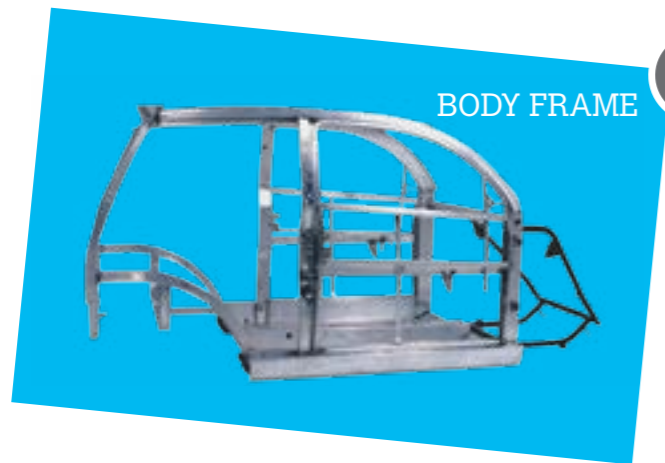
# AIXAM'S PRIORITY: PROTECTING YOU

## A DOUBLE SHELL PROVIDING UNIQUE PROTECTION.

In the event of a serious collision, your AIXAM is designed to protect you.

AIXAM has developed its body frame based on an **extruded aluminium body frame (more resistant than a pressed sheet) with a strong section** forming an extremely rigid cab. This body frame is considered as a survival cage.

**Bodywork in heat formed coloured plastic.** This flexible material is not only highly resistant, it will absorb the force of a collision.



### The benefits of flexible bodywork

- Shock absorption,
- Material with shape memory after a light impact, limiting the need for repairs,
- High resistance to fractures (dampened brittle forces),
- Forget ugly scratches or expensive repairs for your coloured bodywork.
- Recyclable and cheap to repair.

# AIXAM'S PRIORITY: PROTECTING YOU

AIXAM has submitted its vehicles to various **head-on, side, and rear crash tests** based on automobile specifications since 1988. AIXAM engineers use the results of these tests to offer exceptional levels of safety.



AIXAM carries out crash tests with UTAC. UTAC is an independent body approved by the Ministry of Industry, and issues authorisations according to European regulations.

## WHEN IS A CRASH TEST CONSIDERED SUCCESSFUL?

- The cab is intact with no serious deformation: **no intrusion, no injury, you are not trapped in your vehicle,**
- The windows are not broken: **no cuts, no injury,**
- Belts are designed to release the occupant: **the person can leave the vehicle without hindrance or panic,**
- The door fails to open during the accident: **no ejection** but the door handles operate correctly: **the door can be opened easily allowing you to leave the vehicle.**



## PRECONCEIVED IDEAS:

Thick bodywork is better for safety purposes: **FALSE** the structure under the bodywork (the body frame) will protect you in case of a serious collision, not the bodywork itself. The bodywork must be flexible to absorb the force of a collision.

# 40 %

of collisions are head-on. Leave a safety distance to ensure you can avoid any obstacle.

# THE AIXAM NETWORK: FOR LONG-TERM SAFETY

## THE AIXAM NETWORK OF GARAGES CAN GUARANTEE THE QUALITY OF YOUR VEHICLE.

Guarantee the long-term reliability of your vehicle.

### OVERHAUL AND SERVICING SCHEDULE

AIXAM, manufacturer, organises training programmes for all Distributor technicians.

The Aixam approved network can access up-to-date information from the manufacturer in terms of repairs and servicing: quality, deadlines and prices are therefore guaranteed.

### ORIGINAL PARTS:

The manufacturer provides standardised spare parts and is committed to supplying its network. This is of capital importance to guarantee the integrity and long life of your Aixam.



AIXAM can boast 600 approved Distributors throughout Europe devoted to providing day-to-day services. Check out the scale of the network at: [www.aixam.com](http://www.aixam.com)



## CONTERFEIT AUTOMOBILE PARTS: A THREAT TO SAFETY.

In 2010, 1 190 tons of non-conform or dangerous automobile parts flooded Europe. This dramatic situation must encourage car owners to service their vehicles in approved garages. (Source: report by the Ministry of Commerce).

## AIXAM WARNS AGAINST adapted engines and VSD.

Targeting performance above all else is an extremely dangerous attitude. These vehicles are not authorised for high speeds. You will be held liable and your insurer may take legal action against you. AIXAM and its network will not accept these usages.

# AIXAM: GUARANTEED MOBILITY

## Make sure you know your safety facts!

(Choose one or several answers)

- ABS can be used to control my vehicle if I have to brake in an emergency,
- ABS can be used to optimise braking distances without locking the wheels,
- Keeping the laminated windscreen and rear window mist-free will ensure complete visibility.
- Headlamps ensure you can see and be seen,
- A flexible bodywork will better absorb the force of a collision,
- The structure under the bodywork (the body frame) will protect you in case of a serious collision, not the bodywork itself,
- Driver comfort ensures vigilance and good traffic management.
- Checking and inflating your tyres will ensure your vehicle is easy to handle,

## Make sure you know Aixam!

(Choose one or several answers)

- My Aixam is fitted with seat belts for the driver and the passenger,
- My Aixam has unfailing road grip,
- My Aixam is entirely stable on its 4 wheels, guaranteeing comfortable manoeuvring and travel.
- My Aixam has been crash tested with exemplary results,
- The hazard lights of my Aixam will come on automatically if I brake strongly or slow down significantly,
- My Aixam is low cost to run and has an excellent range.



I MAY NOT BE OVER 18, BUT I'M STILL MOBILE.

## Check out the benefits of an Aixam car!

(Choose one or several answers)

- Forget hanging around at the bus stop,
- Learn to drive,
- Get out and about wherever you like, whenever you like,
- Allow your parents to enjoy their own lives and gain your independence,
- Forget helmets, gloves and other tedious equipment,
- Forget bad weather,
- Load the boot up and store your stuff,
- Lock your car up with piece of mind,
- Keep warm in winter,
- Benefit from the protection of the bodywork and forget free flight
- Relax and listen to the radio or your tracks...
- Drive safely, despite your age!







# AIXAM IS ALSO COMMITTED TO A SAFE ENVIRONMENT

## RECYCLABLE

Almost 100% of vehicle parts can be recycled.

## ECOLOGICAL

77.9 g/km in CO<sub>2</sub> | 2.96 l/100 km

## MY DISTRIBUTOR



**NO.1 FOR LICENCE-FREE VEHICLES** **AIXAM**

**AIXAM,  
NO.1 IN SAFETY**



**AIXAM IS ALSO COMMITTED TO  
A SAFE  
ENVIRONMENT**